

DAVIS
IHR PARTNER FÜR STUDIOTECHNIK

DATEN-, AUDIO-, VIDEO- UND

» **STUDIOTECHNIK**
MIT **SYSTEM**



Übersicht / Overview List

Tischgeräte / Tabletop Units

G2100 2x bal IN > 2 x unbal OUT / 2 x unbal IN > 2 x bal OUT

G2101 4x unbal IN > 4 x bal OUT

G2102 2x unbal IN > 2 x bal OUT

G2107 2x bal IN > 2 x unbal OUT

G2111 2 x unbal IN > 2 x bal OUT / FBAS IN-OUT (BNC/SCART)

19" Einbaugeräte / 19" Units

T2100 2 x bal IN > 2 x unbal OUT / 2 x unbal IN > 2 x bal OUT

T2102 2 x bal IN > 2 x unbal OUT / 4 x unbal IN > 4 x bal OUT

T2103 4x unbal IN > 4 x bal OUT

T2104 4 x bal IN > 4 x unbal OUT

T2105 6 x unbal IN > 6 x bal OUT

T2106 2 x bal IN > 2 x unbal OUT / 2 x unbal IN > 2 x bal OUT

T2111 2 x unbal IN > 2 x bal OUT / FBAS IN-OUT (BNC/SCART)

T2112 2 x bal IN > 2 x unbal OUT / 2 x unbal IN > 2 x bal OUT
FBAS IN-OUT (BNC/SCART)

T2114 4 x bal IN > 4 x unbal OUT / 4 x unbal > 4 x bal OUT

T2115 8 x bal IN > 8 x unbal OUT

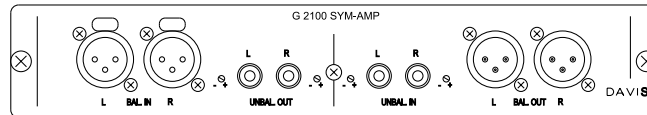
T2116 8 x unbal IN > 8 x bal OUT



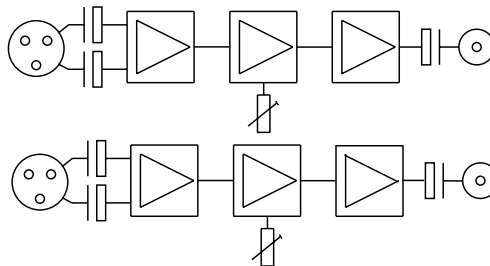
G2100 SYMMETRIER-VERSTÄRKER / BALANCING AMPLIFIER

Kompaktes Tischgerät zur Symmetrierung und Pegelanpassung zwischen Consumer- und Studiogeräten.

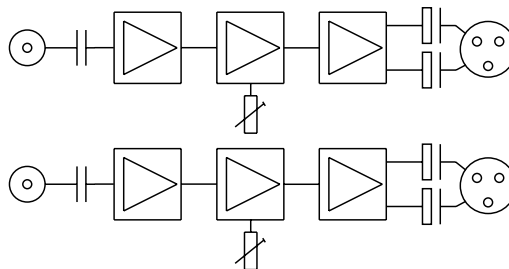
Compact unit as cabinet for balancing and level matching for interfacing between consumer- and studio equipment.



2 x balanced IN > 2 x unbalanced OUT
Gain -20....+6dB



2 x unbalanced IN > 2 x balanced OUT
Gain -6....+20dB



Gehäuse/ Case: B(W) 250 mm, H(H) 44 mm, T(D) 61mm
Gewicht/ Weight: 480g
Stromversorgung/
Power supply: +24V D/C Steckernetzteil (Mains adapter)

Technische Daten / Technical Data

unbalanced > balanced

Input Impedance: 47KOhm
max. Input Level: +21dB
Output Impedance: <50Ohm
max. Output Level: +22dBu
Frequency range: 40Hz...16.500Hz (±0,6dB)
Crosstalk: @<=1KHz >100dB
: @<=15KHz >87dB
THD+N: >95dB
Noise: >91dB
Gain: -6dB...+20dB

balanced > unbalanced

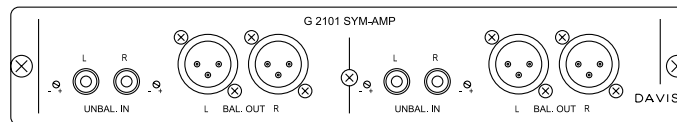
Input Impedance: 24KOhm
max. Input Level: +22dB
Output Impedance: <30Ohm
max. Output Level: +21dBu
Frequency range : 40Hz...16.500Hz(±0,6dB)
Crosstalk: @<=1KHz >100dB
: @<=15KHz >92dB
THD+N: >95dB
Noise: >100dB
Gain: -20dB...+6dB



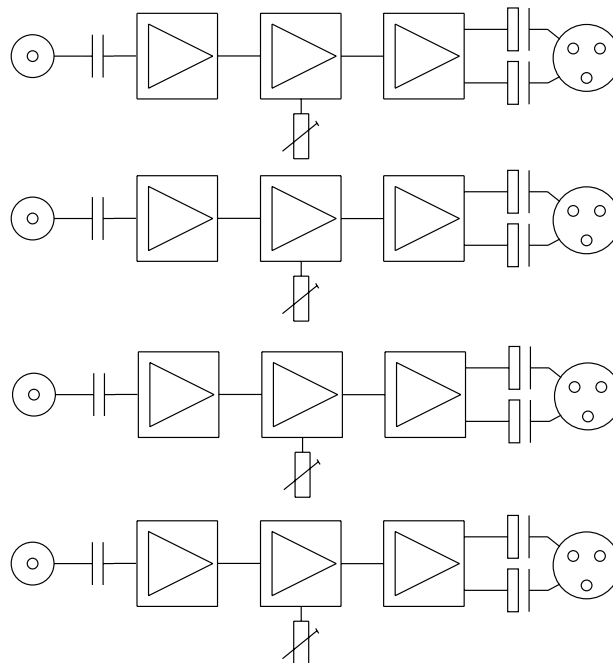
G2101 SYMMETRIER-VERSTÄRKER / BALANCING AMPLIFIER

Kompaktes Tischgerät zur Symmetrierung und Pegelanpassung zwischen Consumer- und Studiogeräten.

Compact unit as cabinet for balancing and level matching for interfacing between consumer- and studio equipment.



4 x unbalanced IN > 4 x balanced OUT
Gain -6...+20dB



Gehäuse/ Case: B(W) 250 mm, H(H) 44 mm, T(D) 61mm
Gewicht/ Weight: 480g
Stromversorgung/
Power supply: +24V D/C Steckernetzteil (Mains adapter)

Technische Daten / Technical Data

unbalanced > balanced

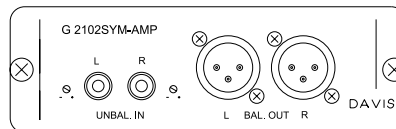
Input Impedance: 47KOhm
max. Input Level: +21dB
Output Impedance: <50Ohm
max. Output Level: +22dBu
Frequency range: 40Hz...16.500Hz (±0,6dB)
Crosstalk: @<=1KHz >100dB
: @<=15KHz >87dB
THD+N: >95dB
Noise: >91dB
Gain: -6dB...+20dB



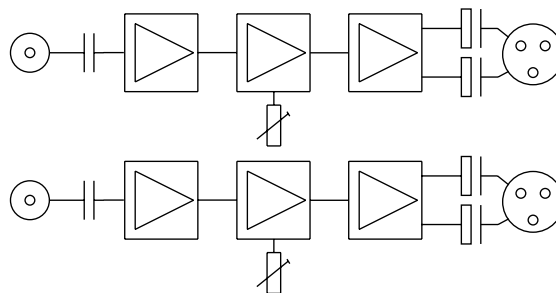
G2102 SYMMETRIER-VERSTÄRKER / BALANCING AMPLIFIER

Kompaktes Tischgerät zur Symmetrierung und Pegelanpassung zwischen Consumer- und Studiogeräten.

Compact unit as cabinet for balancing and level matching for interfacing between consumer- and studio equipment.



2 x unbalanced IN > 2 x balanced OUT
Gain -6....+20dB



Gehäuse/ Case: B(W) 250 mm, H(H) 44 mm, T(D) 61mm
Gewicht/ Weight: 350g
Stromversorgung/
Power supply: +24V D/C Steckernetzteil (Mains adapter)

Technische Daten / Technical Data

unbalanced > balanced

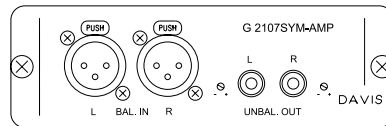
Input Impedance: 47KOhm
max. Input Level: +21dB
Output Impedance: <50Ohm
max. Output Level: +22dBu
Frequency range: 40Hz...16.500Hz (±0,6dB)
Crosstalk: @<=1KHz >100dB
: @<=15KHz >87dB
THD+N: >95dB
Noise: >91dB
Gain: -6dB...+20dB



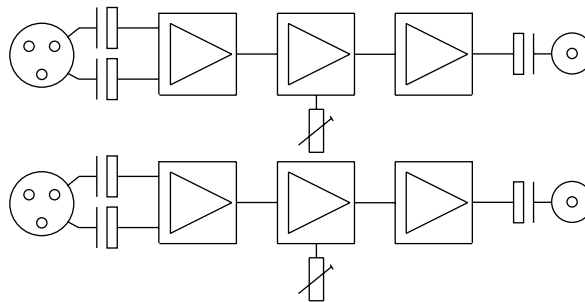
G2107 SYMMETRIER-VERSTÄRKER / BALANCING AMPLIFIER

Kompaktes Tischgerät zur Symmetrierung und Pegelanpassung zwischen Consumer- und Studiogeräten.

Compact unit as cabinet for balancing and level matching for interfacing between consumer- and studio equipment.



2 balanced IN > 2 unbalanced OUT
Gain -20...+6dB



Gehäuse/ Case: B(W) 250 mm, H(H) 44 mm, T(D) 61mm
Gewicht/ Weight: 350g
Stromversorgung/
Power supply: +24V D/C Steckernetzteil (Mains adapter)

Technische Daten / Technical Data

balanced > unbalanced

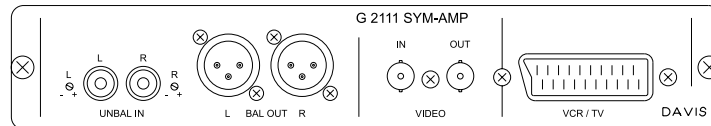
Input Impedance: 24KOhm
max. Input Level: +22dB
Output Impedance: <30Ohm
max. Output Level: +21dBu
Frequency range : 40Hz...16.500Hz(±0,6dB)
Crosstalk: @<=1KHz >100dB
: @<=15KHz >92dB
THD+N: >95dB
Noise: >100dB
Gain: -20dB...+6dB



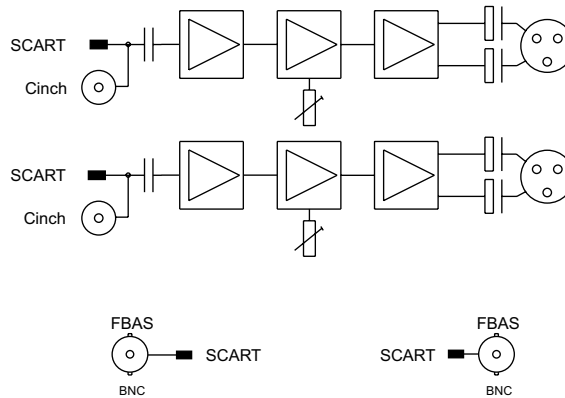
G2111 SYMMETRIER-VERSTÄRKER / BALANCING AMPLIFIER

Kompaktes Tischgerät zur Symmetrierung und Pegelanpassung zwischen Consumer- und Studiogeräten.

Compact unit as cabinet for balancing and level matching for interfacing between consumer- and studio equipment.



unbalanced IN > balanced OUT
Gain -6...+20dB



Gehäuse/ Case: B(W) 250 mm, H(H) 44 mm, T(D) 61mm
Gewicht/ Weight: 480g
Stromversorgung/
Power supply: +24V D/C Steckernetzteil (Mains adapter)

Technische Daten / Technical Data

unbalanced > balanced

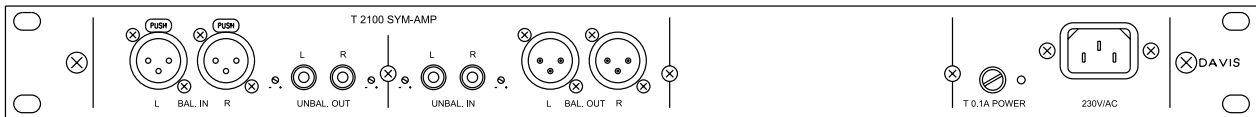
Input Impedance: 47KOhm
max. Input Level: +21dB
Output Impedance: <50Ohm
max. Output Level: +22dBu
Frequency range: 40Hz...16.500Hz (±0,6dB)
Crosstalk: @<=1KHz >100dB
: @<=15KHz >87dB
THD+N: >95dB
Noise: >91dB
Gain: -6dB...+20dB



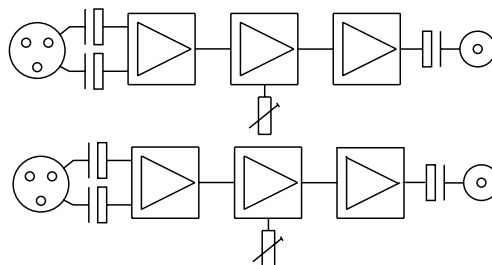
T2100 SYMMETRIER-VERSTÄRKER / BALANCING AMPLIFIER

Kompaktes Gerät zur Symmetrierung und Pegelanpassung zwischen Consumer- und Studiogeräten.

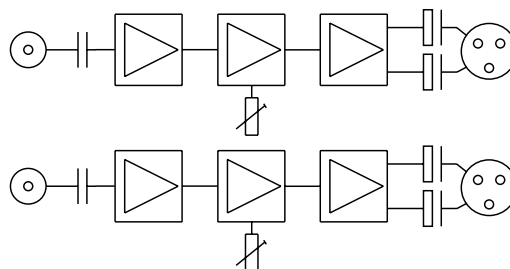
Compact unit as cabinet for balancing and level matching for interfacing between consumer- and studio equipment.



2 x balanced IN > 2 x unbalanced OUT
Gain -20....+6dB



2 x unbalanced IN > 2 x balanced OUT
Gain -6....+20dB



Gehäuse/ Case: 19" / 1HE(U) - 61mm T(D)
Gewicht/ Weight: 1300g
Stromversorgung/
Power supply: 230V/AC-10VA

Auch als T2100R mit rückseitig angeordneten Armaturen lieferbar
Also available as T2100R with connectors on the rear side

Technische Daten / Technical Data

unbalanced > balanced

Input Impedance: 47KOhm
max. Input Level: +21dB
Output Impedance: <50Ohm
max. Output Level: +22dBu
Frequency range: 40Hz...16.500Hz (±0,6dB)
Crosstalk: @<=1KHz >100dB
: @<=15KHz >87dB
THD+N: >95dB
Noise: >91dB
Gain: -6dB...+20dB

balanced > unbalanced

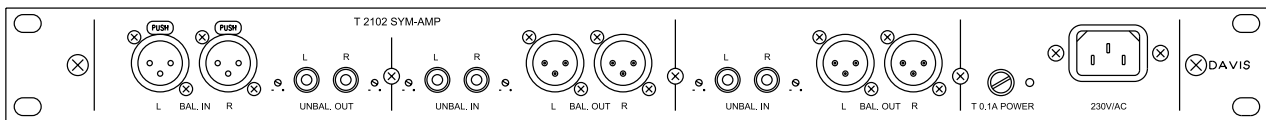
Input Impedance: 24KOhm
max. Input Level: +22dB
Output Impedance: <30Ohm
max. Output Level: +21dBu
Frequency range : 40Hz...16.500Hz(±0,6dB)
Crosstalk: @<=1KHz >100dB
: @<=15KHz >92dB
THD+N: >95dB
Noise: >100dB
Gain: -20dB...+6dB



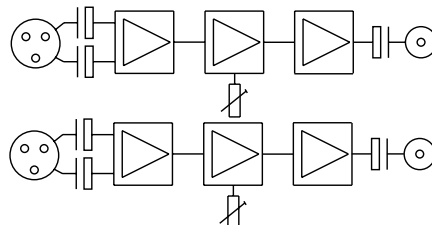
T2102 SYMMETRIER-VERSTÄRKER / BALANCING AMPLIFIER

Kompaktes Gerät zur Symmetrierung und Pegelanpassung zwischen Consumer- und Studiogeräten.

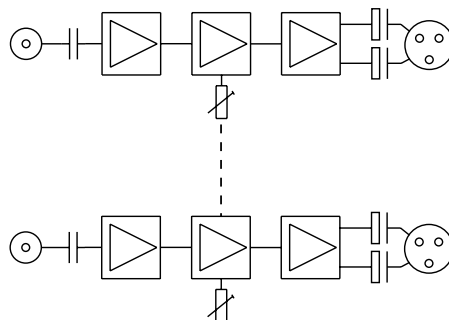
Compact unit as cabinet for balancing and level matching for interfacing between consumer- and studio equipment.



2 x balanced IN > 2 x unbalanced OUT
Gain -20...+6dB



4 x unbalanced IN > 4 x balanced OUT
Gain -6...+20dB



Gehäuse/ Case: 19" / 1HE(U) - 61mm T(D)
Gewicht/ Weight: 1300g
Stromversorgung/
Power supply: 230V/AC-10VA

Auch als T2102R mit rückseitig angeordneten Armaturen lieferbar
Also available as T2102R with connectors on the rear side

Technische Daten / Technical Data

unbalanced > balanced

Input Impedance: 47KOhm
max. Input Level: +21dB
Output Impedance: <50Ohm
max. Output Level: +22dBu
Frequency range: 40Hz...16.500Hz (±0,6dB)
Crosstalk: @<=1KHz >100dB
 @<=15KHz >87dB
THD+N: >95dB
Noise: >91dB
Gain: -6dB...+20dB

balanced > unbalanced

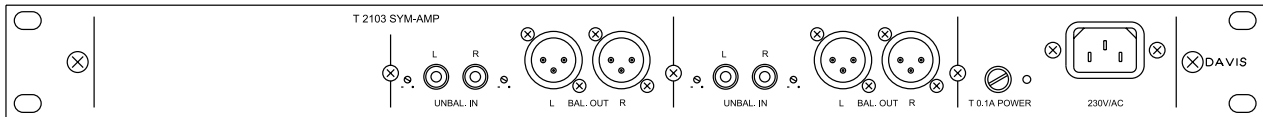
Input Impedance: 24KOhm
max. Input Level: +22dB
Output Impedance: <30Ohm
max. Output Level: +21dBu
Frequency range : 40Hz...16.500Hz(±0,6dB)
Crosstalk: @<=1KHz >100dB
 @<=15KHz >92dB
THD+N: >95dB
Noise: >100dB
Gain: -20dB...+6dB



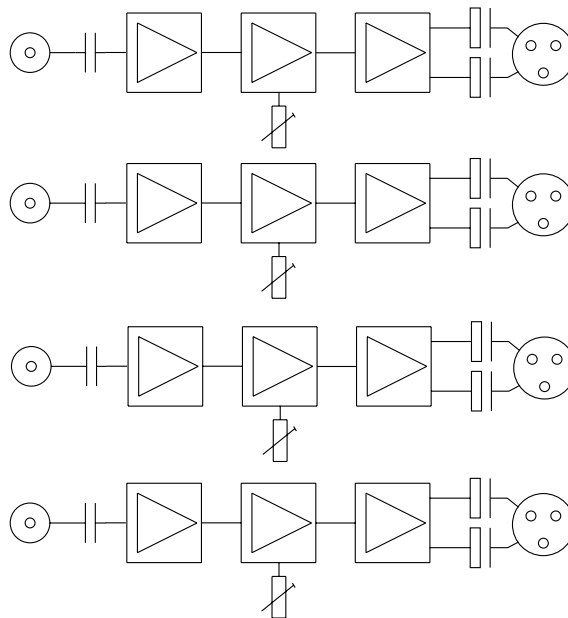
T2103 SYMMETRIER-VERSTÄRKER / BALANCING AMPLIFIER

Kompaktes Gerät zur Symmetrierung und Pegelanpassung zwischen Consumer- und Studiogeräten.

Compact unit as cabinet for balancing and level matching for interfacing between consumer- and studio equipment.



4 x unbalanced IN > 4 x balanced OUT
Gain -6...+20dB



Gehäuse/ Case: 19" / 1HE(U) - 61mm T(D)
Gewicht/ Weight: 1300g
Stromversorgung/
Power supply: 230V/AC-10VA

Auch als T2103R mit rückseitig angeordneten Armaturen lieferbar
Also available as T2103R with connectors on the rear side

Technische Daten / Technical Data

unbalanced > balanced

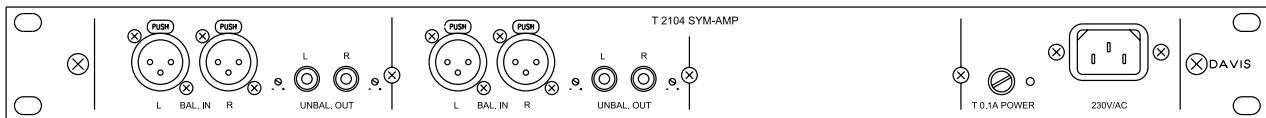
Input Impedance: 47KOhm
max. Input Level: +21dB
Output Impedance: <50Ohm
max. Output Level: +22dBu
Frequency range: 40Hz...16.500Hz ($\pm 0,6$ dB)
Crosstalk: @<=1KHz >100dB
: @<=15KHz >87dB
THD+N: >95dB
Noise: >91dB
Gain: -6dB...+20dB



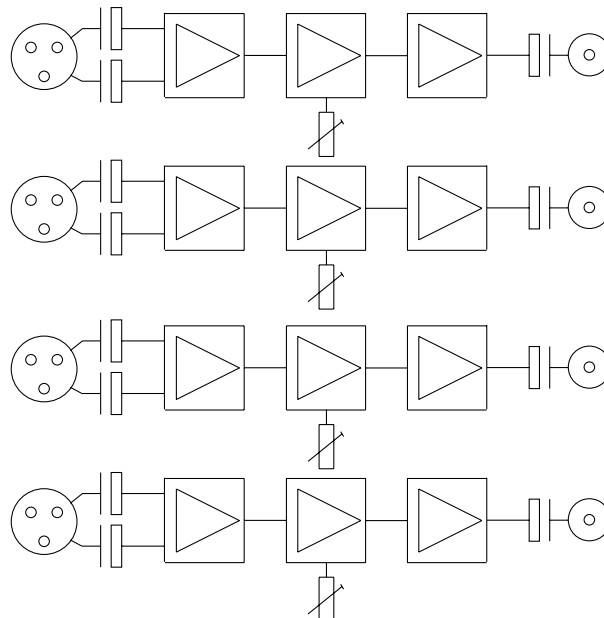
T2104 SYMMETRIER-VERSTÄRKER / BALANCING AMPLIFIER

Kompaktes Gerät zur Symmetrierung und Pegelanpassung zwischen Consumer- und Studiogeräten.

Compact unit as cabinet for balancing and level matching for interfacing between consumer- and studio equipment.



2 x 2 balanced IN > 2 x 2 unbalanced OUT
Gain -20...+6dB



Gehäuse/ Case: 19" / 1HE(U) - 61mm T(D)
Gewicht/ Weight: 1300g
Stromversorgung/
Power supply: 230V/AC-10VA

Auch als T2104R mit rückseitig angeordneten Armaturen lieferbar
Also available as T2104R with connectors on the rear side

Technische Daten / Technical Data

balanced > unbalanced

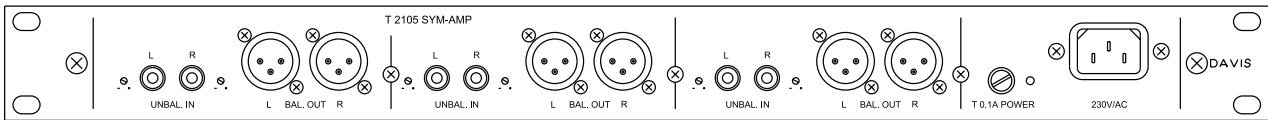
Input Impedance: 24KOhm
max. Input Level: +22dB
Output Impedance: <30Ohm
max. Output Level: +21dBu
Frequency range : 40Hz...16.500Hz(±0,6dB)
Crosstalk: @<=1KHz >100dB
: @<=15KHz >92dB
THD+N: >95dB
Noise: >100dB
Gain: -20dB...+6dB



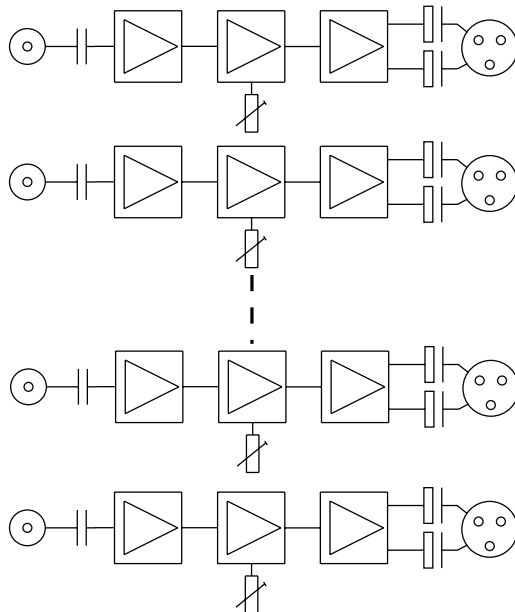
T2105 SYMMETRIER-VERSTÄRKER / BALANCING AMPLIFIER

Kompaktes Gerät zur Symmetrierung und Pegelanpassung zwischen Consumer- und Studiogeräten.

Compact unit as cabinet for balancing and level matching for interfacing between consumer- and studio equipment.



3x2 unbalanced IN > 3x2 balanced OUT
Gain -6...+20dB



Gehäuse/ Case: 19" / 1HE(U) - 61mm T(D)
Gewicht/ Weight: 1300g
Stromversorgung/
Power supply: 230V/AC-10VA

Auch als T2105R mit rückseitig angeordneten Armaturen lieferbar
Also available as T2105R with connectors on the rear side

Technische Daten / Technical Data

unbalanced > balanced

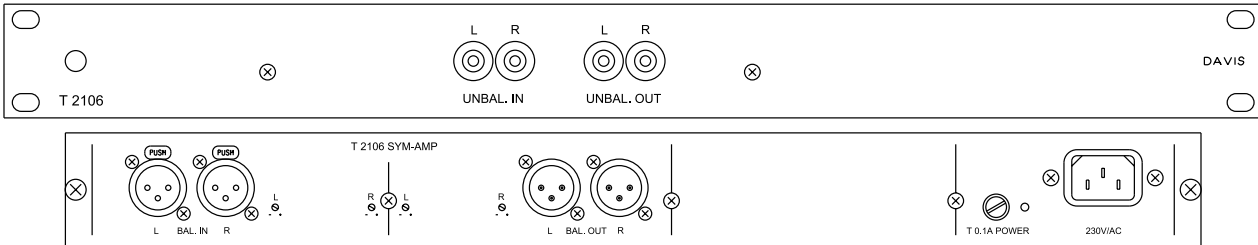
Input Impedance: 47KOhm
max. Input Level: +21dB
Output Impedance: <50Ohm
max. Output Level: +22dBu
Frequency range: 40Hz...16.500Hz ($\pm 0,6$ dB)
Crosstalk:
@<=1KHz >100dB
@<=15KHz >87dB
THD+N: >95dB
Noise: >91dB
Gain: -6dB...+20dB



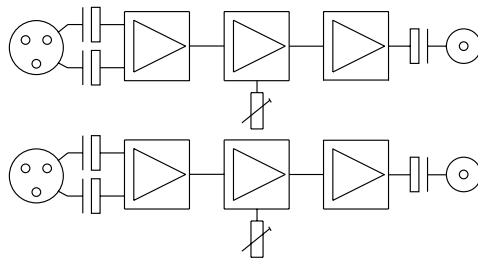
T2106 SYMMETRIER-VERSTÄRKER / BALANCING AMPLIFIER

Kompaktes Gerät zur Symmetrierung und Pegelanpassung zwischen Consumer- und Studiogeräten.

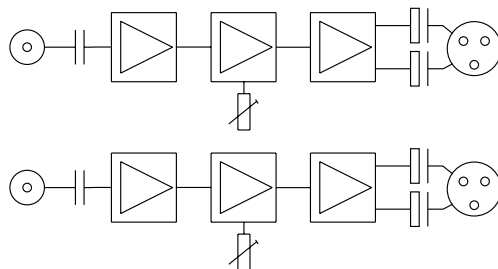
Compact unit as cabinet for balancing and level matching for interfacing between consumer- and studio equipment.



2 x balanced IN > 2 x unbalanced OUT
Gain -20...+6dB



2 x unbalanced IN > 2 x balanced OUT
Gain -6...+20dB



Gehäuse/ Case: 19" / 1HE(U) - 61mm T(D)
Gewicht/ Weight: 1300g
Stromversorgung/
Power supply: 230V/AC-10VA

Technische Daten / Technical Data

unbalanced > balanced

Input Impedance: 47KOhm
max. Input Level: +21dB
Output Impedance: <50Ohm
max. Output Level: +22dBu
Frequency range: 40Hz...16.500Hz (±0,6dB)
Crosstalk: @<=1KHz >100dB
@<=15KHz >87dB
THD+N: >95dB
Noise: >91dB
Gain: -6dB...+20dB

balanced > unbalanced

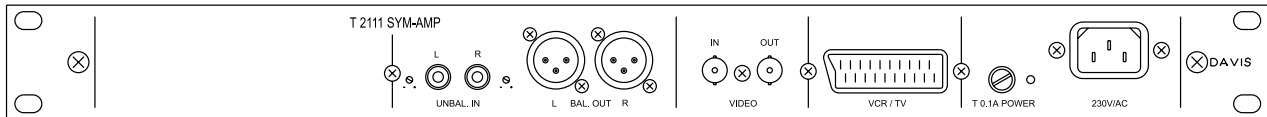
Input Impedance: 24KOhm
max. Input Level: +22dB
Output Impedance: <30Ohm
max. Output Level: +21dBu
Frequency range : 40Hz...16.500Hz(±0,6dB)
Crosstalk: @<=1KHz >100dB
@<=15KHz >92dB
THD+N: >95dB
Noise: >100dB
Gain: -20dB...+6dB



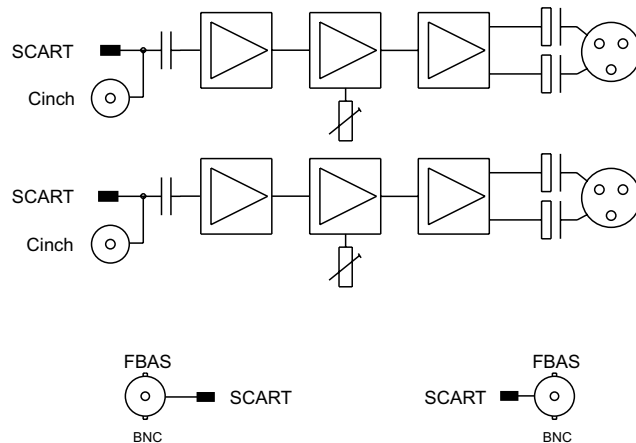
T2111 SYMMETRIER-VERSTÄRKER / BALANCING AMPLIFIER

Kompaktes Gerät zur Symmetrierung und Pegelanpassung zwischen Consumer- und Studiogeräten.

Compact unit as cabinet for balancing and level matching for interfacing between consumer- and studio equipment.



unbalanced IN > balanced OUT
Gain -6....+20dB



Gehäuse/ Case: 19" / 1HE(U) - 61mm T(D)
Gewicht/ Weight: 1300g
Stromversorgung/
Power supply: 230V/AC-10VA

Auch als T2111R mit rückseitig angeordneten Armaturen lieferbar
Also available as T2111R with connectors on the rear side

Technische Daten / Technical Data

unbalanced > balanced

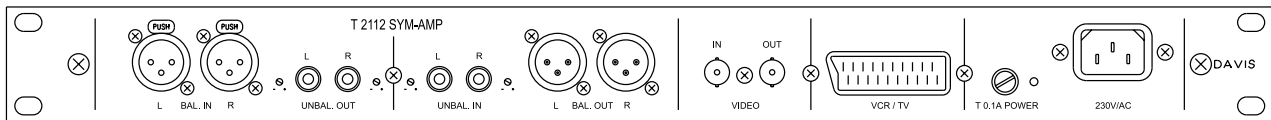
Input Impedance: 47KOhm
max. Input Level: +21dB
Output Impedance: <50Ohm
max. Output Level: +22dBu
Frequency range: 40Hz...16.500Hz ($\pm 0,6$ dB)
Crosstalk:
@<=1KHz >100dB
@<=15KHz >87dB
THD+N: >95dB
Noise: >91dB
Gain: -6dB...+20dB



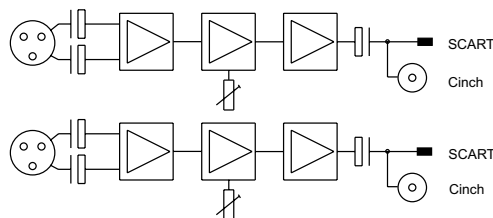
T2112 SYMMETRIER-VERSTÄRKER / BALANCING AMPLIFIER

Kompaktes Gerät zur Symmetrierung und Pegelanpassung zwischen Consumer- und Studiogeräten.

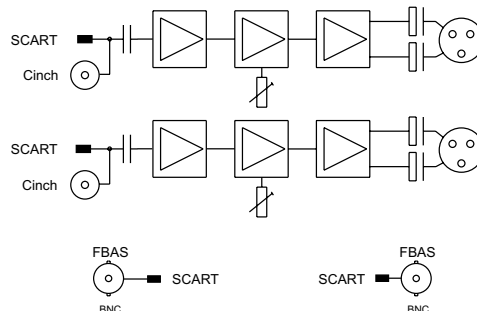
Compact unit as cabinet for balancing and level matching for interfacing between consumer- and studio equipment.



2 x balanced IN > 2 x unbalanced OUT
Gain -20...+6dB



2 x unbalanced IN > 2 x balanced OUT
Gain -6...+20dB



Gehäuse/ Case: 19" / 1HE(U) - 61mm T(D)
Gewicht/ Weight: 1300g
Stromversorgung/
Power supply: 230V/AC-10VA

Auch als T2112R mit rückseitig angeordneten Armaturen lieferbar
Also available as T2112R with connectors on the rear side

Technische Daten / Technical Data

unbalanced > balanced

Input Impedance: 47KOhm
max. Input Level: +21dB
Output Impedance: <50Ohm
max. Output Level: +22dBu
Frequency range: 40Hz...16.500Hz (±0,6dB)
Crosstalk: @<=1KHz >100dB
 @<=15KHz >87dB
THD+N: >95dB
Noise: >91dB
Gain: -6dB...+20dB

balanced > unbalanced

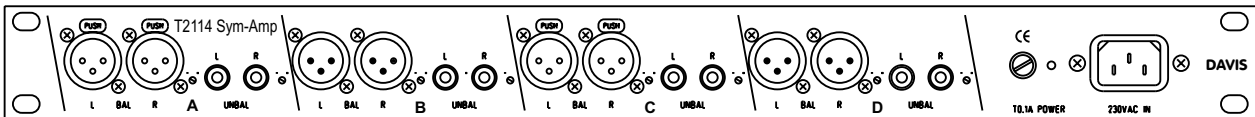
Input Impedance: 24KOhm
max. Input Level: +22dB
Output Impedance: <30Ohm
max. Output Level: +21dBu
Frequency range : 40Hz...16.500Hz(±0,6dB)
Crosstalk: @<=1KHz >100dB
 @<=15KHz >92dB
THD+N: >95dB
Noise: >100dB
Gain: -20dB...+6dB



T2114 SYMMETRIER-VERSTÄRKER / BALANCING AMPLIFIER

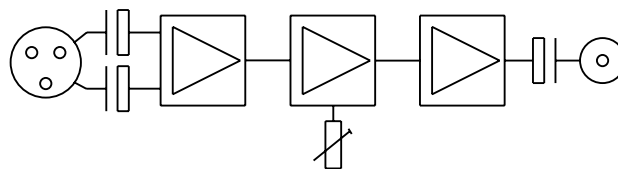
Kompaktes Gerät zur Symmetrierung und Pegelanpassung zwischen Consumer- und Studiogeräten.

Compact unit as cabinet for balancing and level matching for interfacing between consumer- and studio equipment.



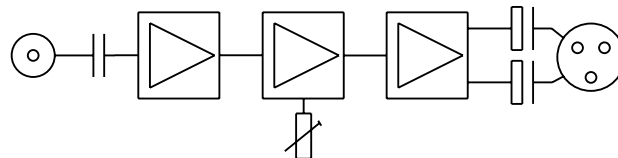
2x2 balanced IN > 2x2 unbalanced OUT

Gain -20.... +6dB



2x2 unbalanced IN > 2x2 balanced OUT

Gain -6.... +20dB



Gehäuse/ Case: 19" / 1HE(U) - 61mm T(D)
Gewicht/ Weight: 1300g
Stromversorgung/
Power supply: 230V/AC-10VA

Auch als T2114R mit rückseitig angeordneten Armaturen lieferbar
Even as T2114R with rear connection available

Technische Daten / Technical Data

unbalanced > balanced

Input Impedance: 47KOhm
max. Input Level: +21dB
Output Impedance: <50Ohm
max. Output Level: +22dBu
Frequency range: 40Hz...16.500Hz (±0,6dB)
Crosstalk: @<=1KHz >100dB
: @<=15KHz >87dB
THD+N: >95dB
Noise: >91dB
Gain: -6dB...+20dB

balanced > unbalanced

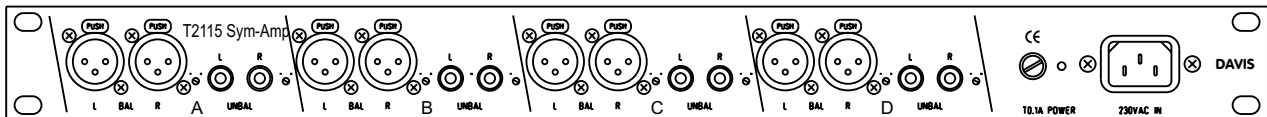
Input Impedance: 24KOhm
max. Input Level: +22dB
Output Impedance: <30Ohm
max. Output Level: +21dBu
Frequency range : 40Hz...16.500Hz(±0,6dB)
Crosstalk: @<=1KHz >100dB
: @<=15KHz >92dB
THD+N: >95dB
Noise: >100dB
Gain: -20dB...+6dB



T2115 SYMMETRIER-VERSTÄRKER / BALANCING AMPLIFIER

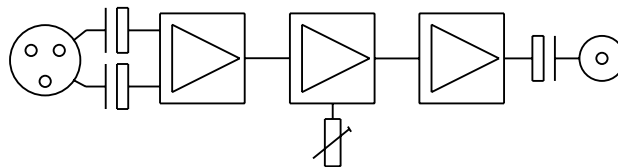
Kompaktes Gerät zur Symmetrierung und Pegelanpassung zwischen Consumer- und Studiogeräten.

Compact unit as cabinet for balancing and level matching for interfacing between consumer- and studio equipment.



4x2 balanced IN > 4x2 unbalanced OUT

Gain -20.... +6dB



Gehäuse/ Case: 19" / 1HE(U) - 61mm T(D)
Gewicht/ Weight: 1300g
Stromversorgung/
Power supply: 230V/AC-10VA

Auch als T2115R mit rückseitig angeordneten Armaturen lieferbar
Even as T2115R with rear connection available

Technische Daten / Technical Data

balanced > unbalanced

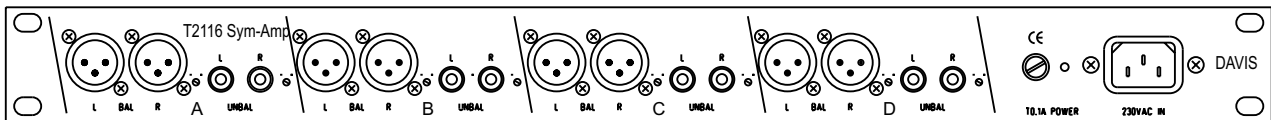
Input Impedance: 24KOhm
max. Input Level: +22dB
Output Impedance: <30Ohm
max. Output Level: +21dBu
Frequency range : 40Hz...16.500Hz(±0,6dB)
Crosstalk: @<=1KHz >100dB
: @<=15KHz >92dB
THD+N: >95dB
Noise: >100dB
Gain: -20dB...+6dB



T2116 SYMMETRIER-VERSTÄRKER / BALANCING AMPLIFIER

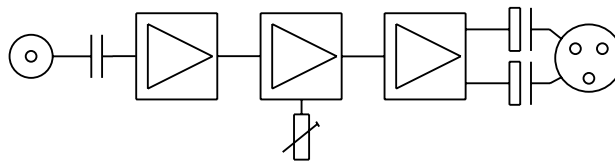
Kompaktes Gerät zur Symmetrierung und Pegelanpassung zwischen Consumer- und Studiogeräten.

Compact unit as cabinet for balancing and level matching for interfacing between consumer- and studio equipment.



4x2 unbalanced IN > 4x2 balanced OUT

Gain -6... +20dB



Gehäuse/ Case: 19" / 1HE(U) - 61mm T(D)
Gewicht/ Weight: 1300g
Stromversorgung/
Power supply: 230V/AC-10VA

Auch als T1216R mit rückseitig angeordneten Armaturen lieferbar
Even as T1216R with rear connection available

Technische Daten / Technical Data

unbalanced > balanced

Input Impedance: 47KOhm
max. Input Level: +21dB
Output Impedance: <50Ohm
max. Output Level: +22dBu
Frequency range: 40Hz...16.500Hz (±0,6dB)
Crosstalk: @<=1KHz >100dB
: @<=15KHz >87dB
THD+N: >95dB
Noise: >91dB
Gain: -6dB...+20dB



BALANCING AMPLIFIER

	G2100 Tabletop Unit	Compact tabletop unit for balancing and level adaption, between consumer and studio equipment.	375,00 €
		2 x balanced IN upon 2 x unbalanced OUT / 2 x unbalanced IN upon 2 x balanced OUT	
	G2101 Tabletop Unit	Compact tabletop unit for balancing and level adaption, between consumer and studio equipment.	375,00 €
		4 unbalanced IN upon 4 x balanced OUT	
	G2102 Tabletop Unit	Compact tabletop unit for balancing and level adaption, between consumer and studio equipment.	229,00 €
		2 unbalanced IN auf 2 x balanced OUT	
	G2107 Tabletop Unit	Compact tabletop unit for balancing and level adaption, between consumer and studio equipment.	229,00 €
		2 balanced IN upon 2 x unbalanced OUT	
	G2111 Tabletop Unit	Compact tabletop unit for balancing and level adaption, between consumer and studio equipment.	344,00 €
		2 x unbalanced IN upon 2 x balanced OUT / FBAS IN-OUT (BNC/SCART)	
	T2100 19"/1RU Device	Compact build-in type for balancing and level adaption, between consumer and studio equipment.	375,00 €
		2 x balanced IN upon 2 x unbalanced OUT / 2 x unbalanced IN upon 2 x balanced OUT	
	T2102 19"/1RU Device	Compact build-in type for balancing and level adaption, between consumer and studio equipment.	417,00 €
		2 x balanced IN upon 2 x unbalanced OUT / 4 x unbalanced IN upon 4 x balanced OUT	
	T2103 19"/1RU Device	Compact build-in type for balancing and level adaption, between consumer and studio equipment.	375,00 €
		4 x unbalanced IN upon 4 x balanced OUT	
	T2104 19"/1RU Device	Compact build-in type for balancing and level adaption, between consumer and studio equipment.	375,00 €
		4 x balanced IN upon 4 x unbalanced OUT	

All prices are exclusive of VAT. All our prices quoted ex works. 05/07

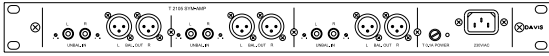


BALANCING AMPLIFIER

T2105
19"/1RU Device

Compact build-in type for balancing and level adaption, between consumer and studio equipment.

417,00 €

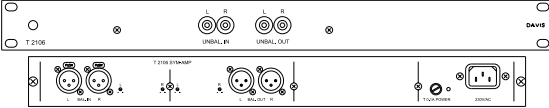


6 x unbalanced IN upon 6 x balanced OUT

T2106
19"/1RU Device

Compact build-in type for balancing and level adaption, between consumer and studio equipment.

458,00 €

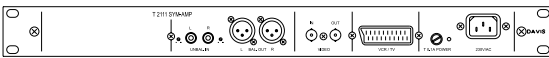


2 x balanced IN upon 2 x unbalanced OUT /
2 x unbalanced IN upon 2 x balanced OUT

T2111
19"/1RU Device

Compact build-in type for balancing and level adaption, between consumer and studio equipment.

375,00 €

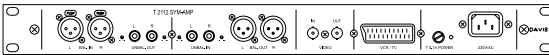


2 x unbalanced IN upon 2 x balanced OUT/
FBAS IN-OUT (BNC/SCART)

T2112
19"/1RU Device

Compact build-in type for balancing and level adaption, between consumer and studio equipment.

417,00 €

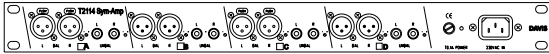


2 x balanced IN upon 2 x unbalanced OUT/
2 x unbalanced IN upon 2 x balanced OUT
FBAS IN-OUT (BNC/SCART)

T2114
19"/1RU Device

Compact build-in type for balancing and level adaption, between consumer and studio equipment.

458,00 €

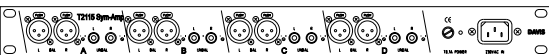


4 x balanced IN upon 4 x unbalanced OUT /
4 x unbalanced IN upon 4 x balanced OUT

T2115
19"/1RU Device

Compact build-in type for balancing and level adaption, between consumer and studio equipment.

458,00 €

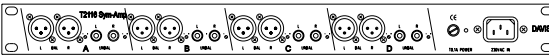


8 x balanced IN upon 8 x unbalanced OUT

T2116
19"/1RU Device

Compact build-in type for balancing and level adaption, between consumer and studio equipment.

458,00 €



8 x unbalanced IN upon 8 x balanced OUT

BALANCING AMPLIFIER